

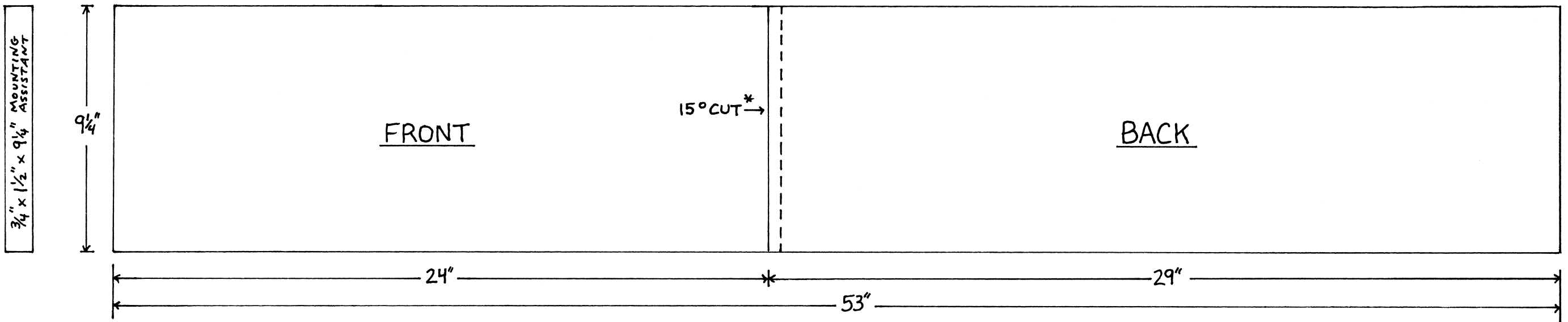
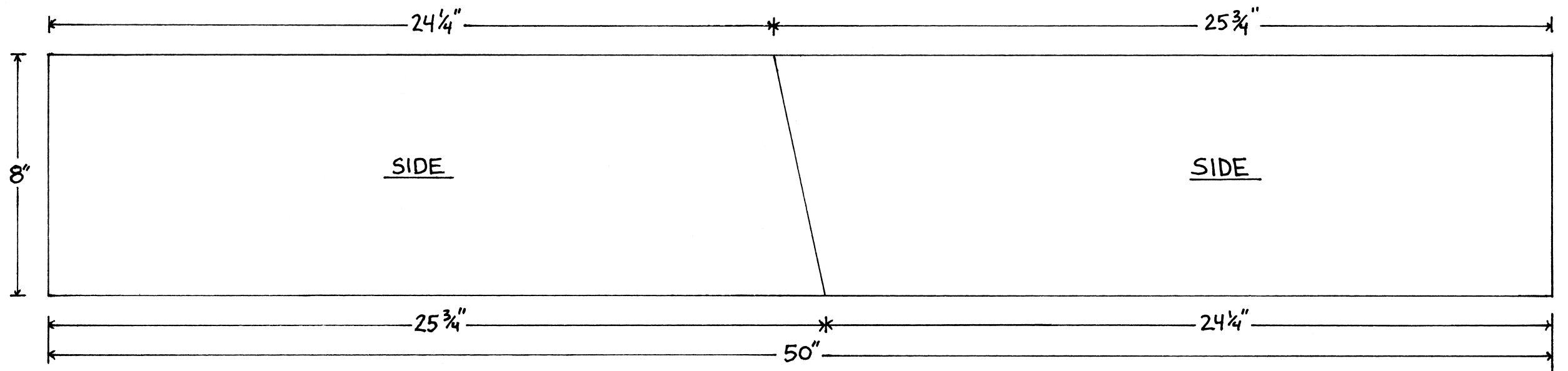
"THE DUCKMAN'S"

WOOD DUCK NEST BOX

DESIGNED BY: DON "THE DUCKMAN" HELMEKE

DRAWN BY: CHRIS WILLETT

(OPERATIONAL VIEW, NOT TO SCALE)



"THE DUCKMAN'S"
 WOODDUCK NEST BOX
 DESIGNED BY: DON "THE DUCKMAN" HELMEKE
 DRAWN BY: CHRIS WILLETT
 (CUT VIEWS, NOT TO SCALE)

